

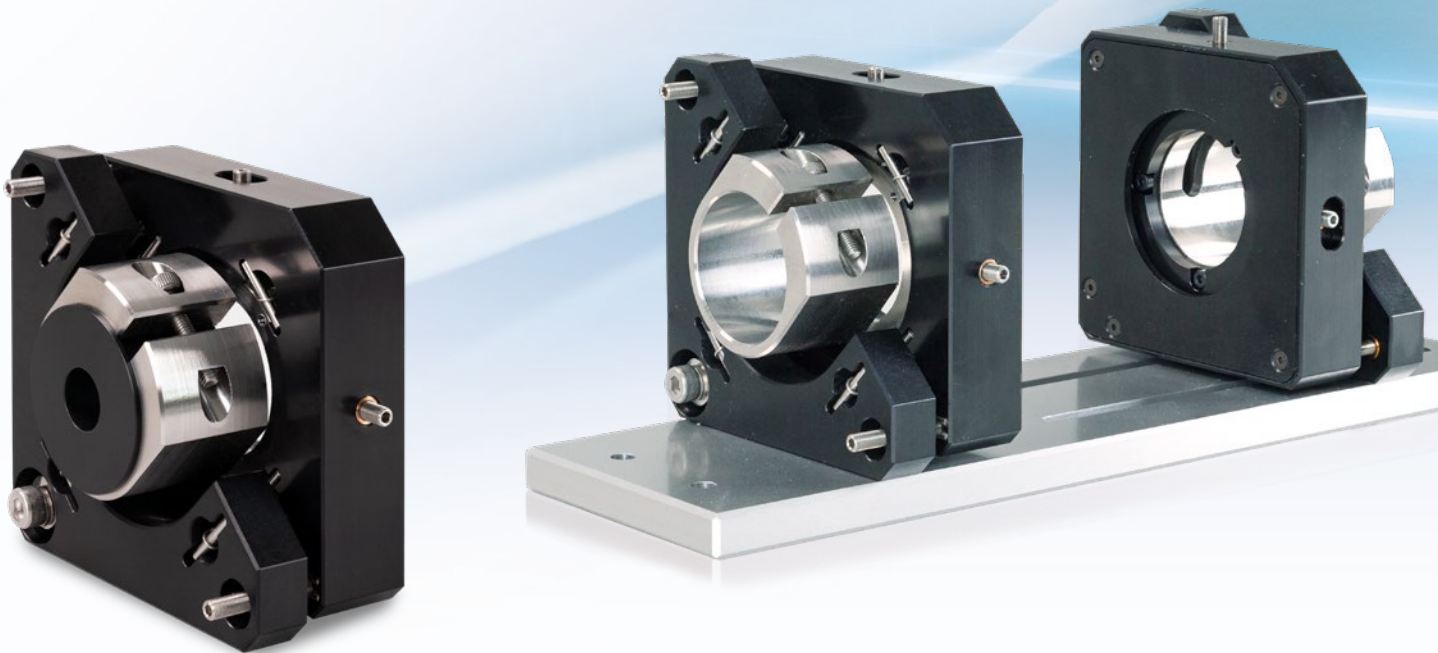


More Precision.

Adjustable mounting adapter for confocalDT / interferoMETER sensors



Adjustable mounting adapters JMA and JMA-Thickness



The adjustable mounting adapters significantly simplify the alignment of confocal and interferometric sensors. The JMA adapters enable easy and fast sensor integration into the machine while the fine adjustment takes place directly on site.

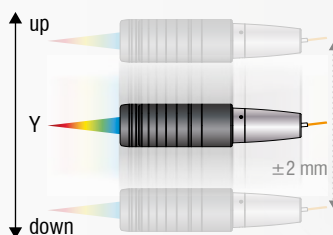
The following models are available:

- Mounting adapter JMA-xx for distance measurements
- JMA-Thickness for the two-sided thickness measurement

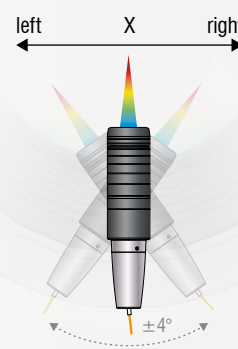
1 Max. shift in X ± 2 mm



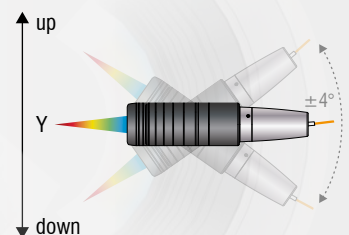
2 Max. shift in Y ± 2 mm



3 Max. tilt angle in X $\pm 4^\circ$

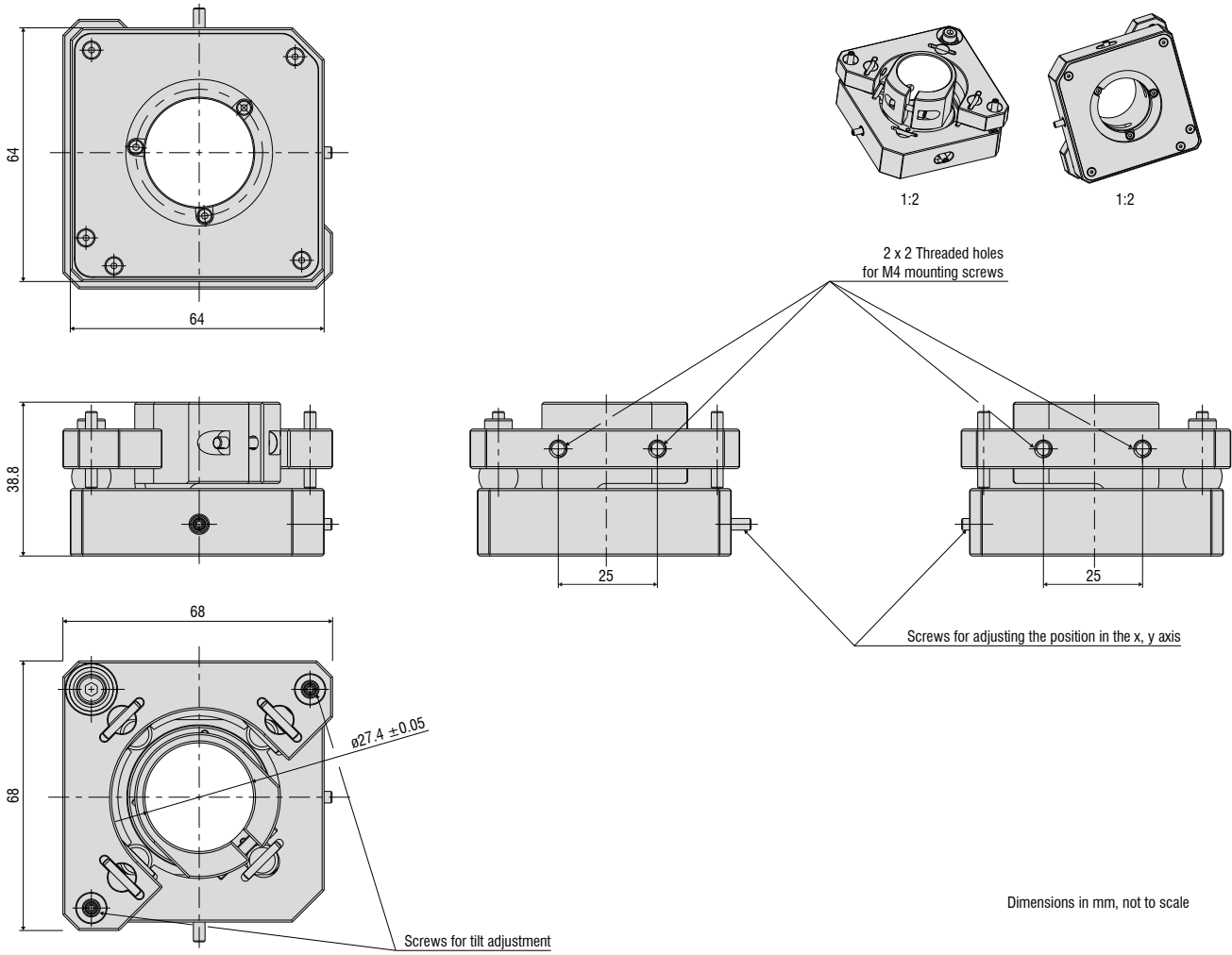


4 Max. tilt angle in Y $\pm 4^\circ$

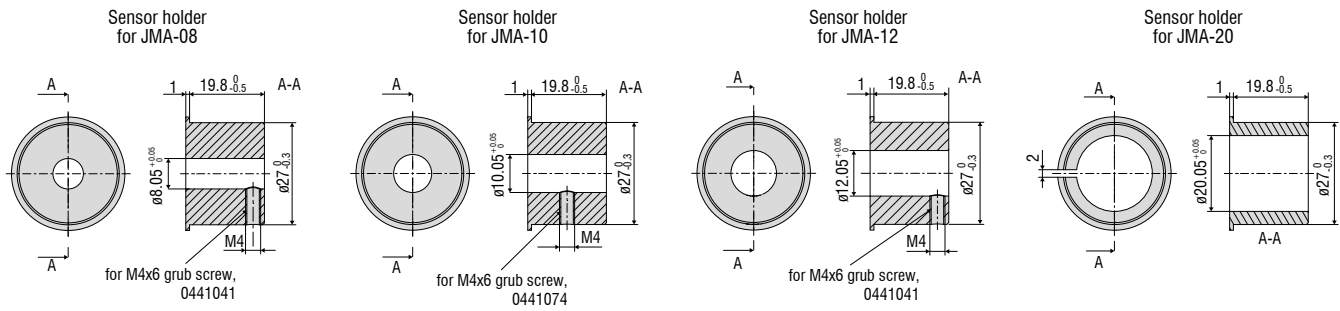


Dimensions

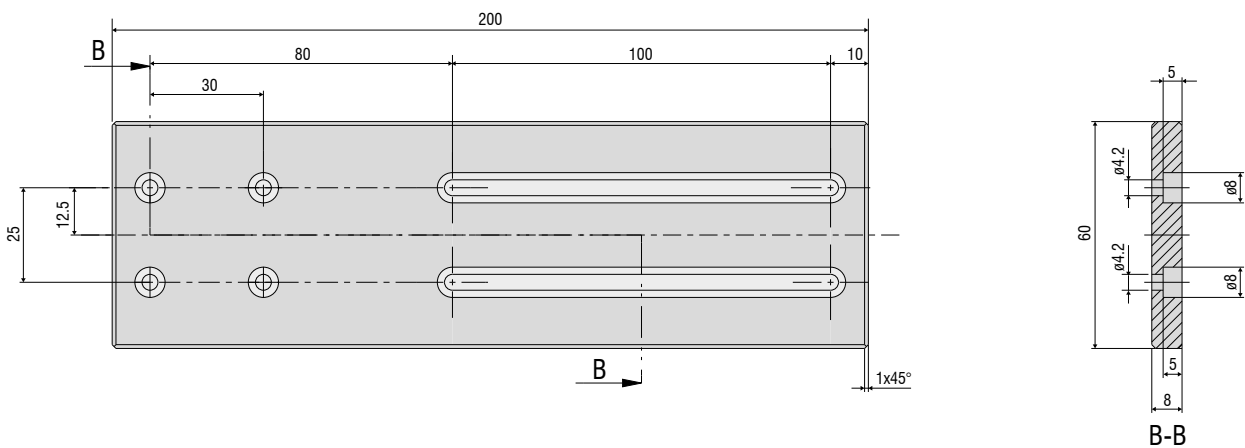
Adjustable mounting adapter JMA



Sensor holder for smaller diameters



Mounting plate JMP for JMA-Thickness



Adjustable mounting adapter JMA

Manual adjustment mechanism for easy and fast adjustment

Optimal sensor alignment for best possible measurement results

Ideally suitable for machine integration

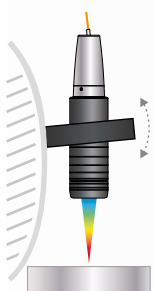


The JMA-xx mounting adapter can be used for distance measurements with confocal and interferometric sensors and enables fine adjustment of the sensor to the measuring object via the user-friendly adjustment mechanism. Particularly for high resolution sensors with a small tilt angle, perpendicular installation is required. To achieve best possible measurement results, the sensors can be aligned and minor mounting deviations or tilted measuring objects can be compensated for.

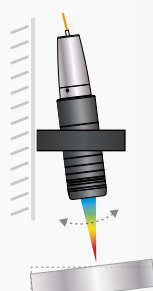
Application examples:

Alignment

Subsequent correction of the mounting position

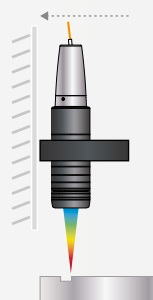


Compensates for incorrect target position

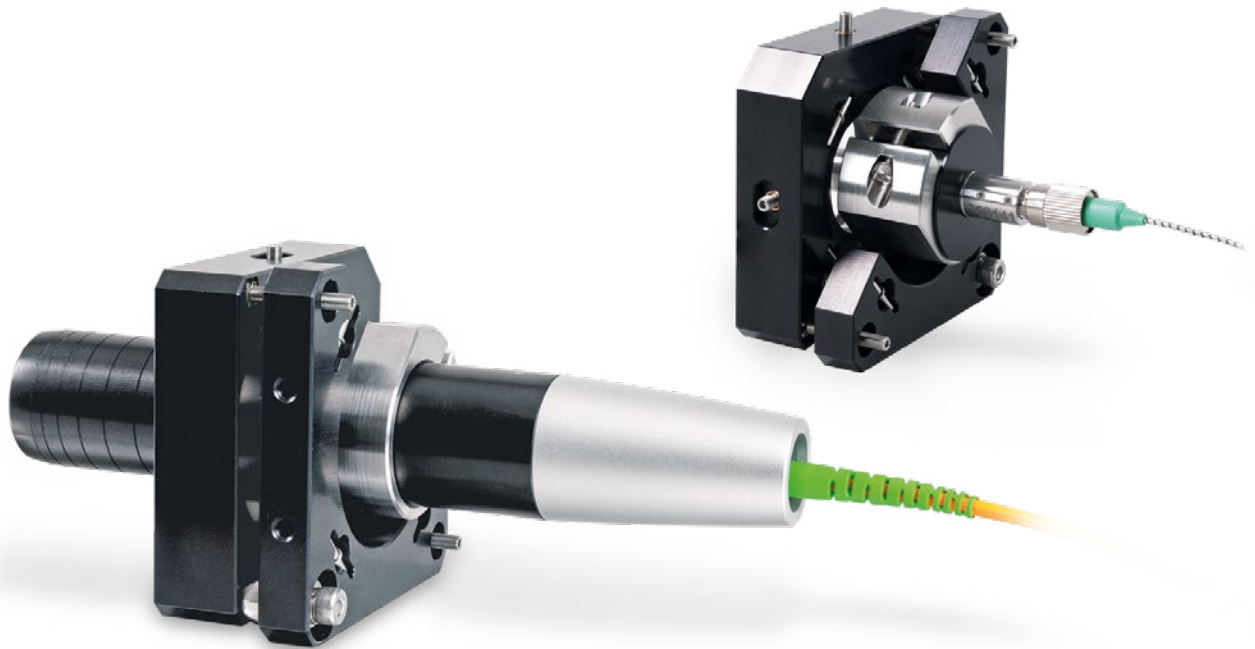


Positioning

Shifting the sensor to target area



Model	JMA-08	JMA-10	JMA-12	JMA-20	JMA-27
Tilting range	X	±4° (continuously adjustable)			
	Y	±4° (continuously adjustable)			
Shifting range	X	±2 mm (continuously adjustable)			
	Y	±2 mm (continuously adjustable)			
Shock (DIN EN 60068-2-27)	15 g / 6 ms in XYZ axis, 1000 shocks each				
Vibration (DIN EN 60068-2-6)	2 g / 20 ... 500 Hz in XYZ axis, 10 cycles each				
Adjustment mechanism	Screw setting mechanism via M3x0.25 screw with hexagon socket 1.5				
Mounting	2x 2 mounting holes for M4x1				
Sensor mounting	Radial clamping for ø 8 mm	Radial clamping for ø 10 mm	Radial clamping for ø 12 mm	Radial clamping for ø 20 mm	Radial clamping for ø 27 mm
Compatibility	confocalDT: IFS2403 series	interferoMETER: IMP-DS19 IMP-TH45	confocalDT: IFS2404-2 IFS2407-0,1 IFS2407-0,8	confocalDT: IFS2406-2,5/VAC interferoMETER: IMP-TH70	confocalDT: IFS2405-0,3 IFS2405-1 IFS2406-3 IFS2406-10



Scope of supply

- 1 JMA-xx
- 1 sensor holder for smaller diameters (not with JMA-27)
- 1 hexagon screwdriver for positioning
- Assembly instructions

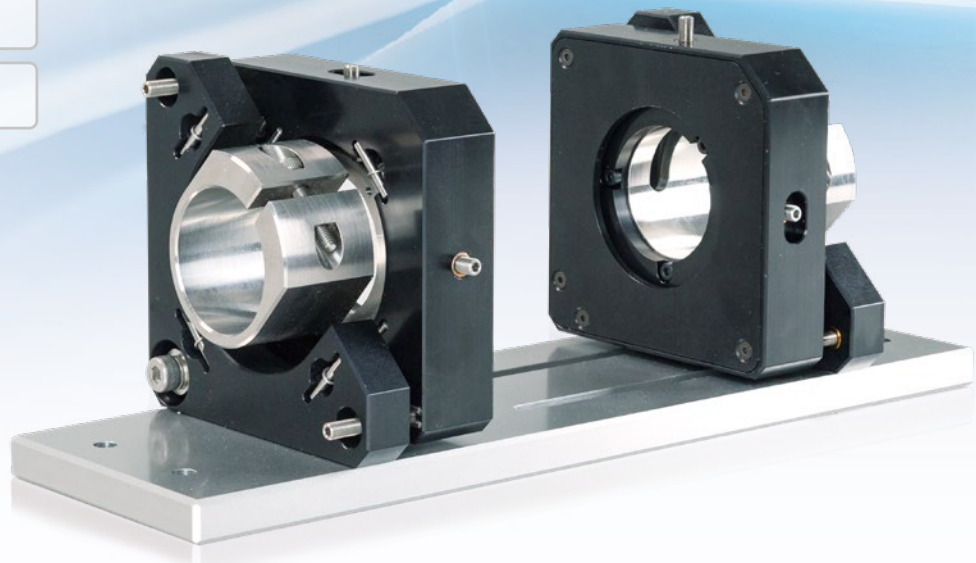
Adjustable mounting adapter for two-sided thickness measurement

JMA-Thickness

Optimal alignment of the optical axes enables high precision in two-sided thickness measurements

Pre-assembled for easy installation and fast commissioning

Ideally suitable for machine integration

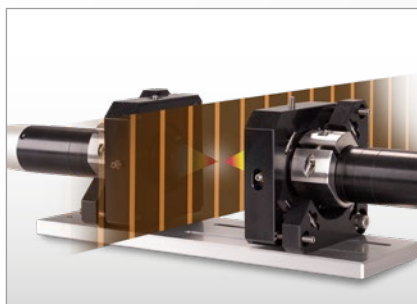


For two-sided thickness measurements, the adjustable JMA-Thickness mounting adapter supports the alignment of the measuring points to one another. This means that the measuring points can be arranged absolutely congruent to each other so that the sensors are positioned exactly on an optical axis. This prevents measurements at an offset and a reliable measurement result is achieved with the highest possible precision. The JMA-Thickness is designed such that different confocalDT and interferoMETER sensors can be used.

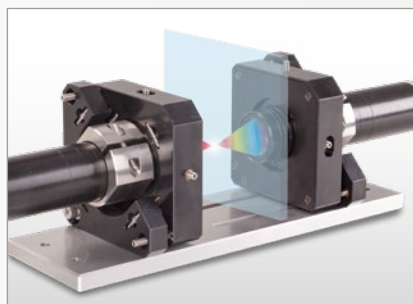
When delivered, the two mounting adapters are pre-mounted on a mounting plate and aligned with one another. This simplifies installation and the measuring system can be put into operation more quickly. After installation into the machine, the plate can be removed, if necessary.

Application examples:

Battery film



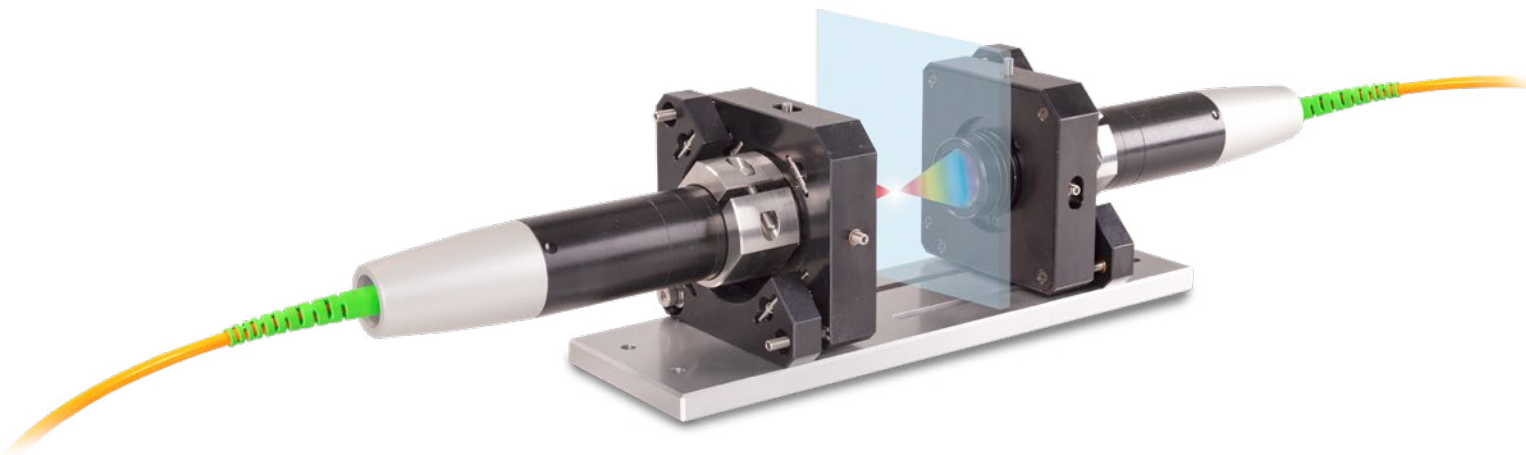
Glass industry



PCB manufacturing







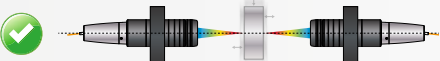

Model	JMA-Thickness	-08	-10	-12	-20	-27
Shock (DIN EN 60068-2-27)		15 g / 6 ms in XYZ axis, 1000 shocks each				
Vibration (DIN EN 60068-2-6)		2 g / 20 ... 500 Hz in XYZ axis, 10 cycles each				
Adjustment mechanism		Screw setting mechanism via M3x0.25 screw with hexagon socket 1.5				
Sensor mounting		Radial clamping for ø 8 mm	Radial clamping for ø 10 mm	Radial clamping for ø 12 mm	Radial clamping for ø 20 mm	Radial clamping for ø 27 mm
Compatibility		confocalDT: IFS2403 series	interferoMETER: IMP-DS19 IMP-TH45	confocalDT: IFS2404-2 IFS2407-0,1	confocalDT: IFS2406-2,5/VAC interferoMETER: IMP-TH70	confocalDT: IFS2405-0,3 IFS2405-1 IFS2406-3 IFS2406-10



Scope of supply

- 2 JMA-xx
- 1 JMP mounting plate
- 1 hexagon screwdriver 1.5 mm
- 1 allen wrench 2.5 mm
- 1 allen wrench 3.0 mm
- 1 assembly instructions
- 2 optional reducing sleeves
(depending on the package and the corresponding sensor)

More precision with two-sided thickness measurements

		
Without JMA-Thickness: Measurement error with tilted target	Without JMA-Thickness: Incorrect thickness measurement with vibrations	Without JMA-Thickness: Sensors positioned incorrectly – no thickness measurement possible
		
With JMA-Thickness: Measures exactly at the opposite position	With JMA-Thickness: Sensors are on one optical axis – provides stability even with vibrating objects	With JMA-Thickness: Optimal positioning support – object visible for both sensors

Sensors and Systems from Micro-Epsilon



Sensors and systems for displacement, position and dimension



Sensors and measurement devices for non-contact temperature measurement



Measuring and inspection systems for quality assurance



Optical micrometers, fiber optics, measuring and test amplifiers



Color recognition sensors, LED Analyzers and inline color spectrometers



3D measurement technology for dimensional testing and surface inspection